

По вопросам продаж и поддержки обращайтесь:

Алматы (7273)495-231	Калининград (4012)72-03-81	Омск (3812)21-46-40	Сыктывкар (8212)25-95-17
Ангарск (3955)60-70-56	Калуга (4842)92-23-67	Орел (4862)44-53-42	Тамбов (4752)50-40-97
Архангельск (8182)63-90-72	Кемерово (3842)65-04-62	Оренбург (3532)37-68-04	Тверь (4822)63-31-35
Астрахань (8512)99-46-04	Киров (8332)68-02-04	Пенза (8412)22-31-16	Тольятти (8482)63-91-07
Барнаул (3852)73-04-60	Коломна (4966)23-41-49	Пермь (342)205-81-47	Томск (3822)98-41-53
Белгород (4722)40-23-64	Кострома (4942)77-07-48	Петрозаводск (8142)55-98-37	Тула (4872)33-79-87
Благовещенск (4162)22-76-07	Краснодар (861)203-40-90	Псков (8112)59-10-37	Тюмень (3452)66-21-18
Брянск (4832)59-03-52	Красноярск (391)204-63-61	Ростов-на-Дону (863)308-18-15	Улан-Удэ (3012)59-97-51
Владивосток (423)249-28-31	Курган (3522)50-90-47	Рязань (4912)46-61-64	Ульяновск (8422)24-23-59
Владикавказ (8672)28-90-48	Курск (4712)77-13-04	Самара (846)206-03-16	Уфа (347)229-48-12
Владимир (4922)49-43-18	Липецк (4742)52-20-81	Санкт-Петербург (812)309-46-40	Хабаровск (4212)92-98-04
Волгоград (844)278-03-48	Магнитогорск (3519)55-03-13	Саранск (8342)22-96-24	Чебоксары (8352)28-53-07
Вологда (8172)26-41-59	Москва (495)268-04-70	Саратов (845)249-38-78	Челябинск (351)202-03-61
Воронеж (473)204-51-73	Мурманск (8152)59-64-93	Севастополь (8692)22-31-93	Череповец (8202)49-02-64
Екатеринбург (343)384-55-89	Набережные Челны (8552)20-53-41	Симферополь (3652)67-13-56	Чита (3022)38-34-83
Иваново (4932)77-34-06	Нижний Новгород (831)429-08-12	Смоленск (4812)29-41-54	Якутск (4112)23-90-97
Ижевск (3412)26-03-58	Новокузнецк (3843)20-46-81	Сочи (862)225-72-31	Ярославль (4852)69-52-93
Иркутск (395)279-98-46	Новосибирск (383)227-86-73	Ставрополь (8652)20-65-13	
Казань (843)206-01-48	Ноябрьск (3496)41-32-12	Сургут (3462)77-98-35	

Россия +7(495)268-04-70

Казахстан +7(7172)727-132

Киргизия +996(312)96-26-47

geb@nt-rt.ru || <https://gispkitchen.nt-rt.ru>

## Каталог продукции Gispkitchen

# Bowls for welding

Bowls for welding · Big bowls for welding · Drain with overflow tube

AISI 304 stainless steel 1,0 mm. width

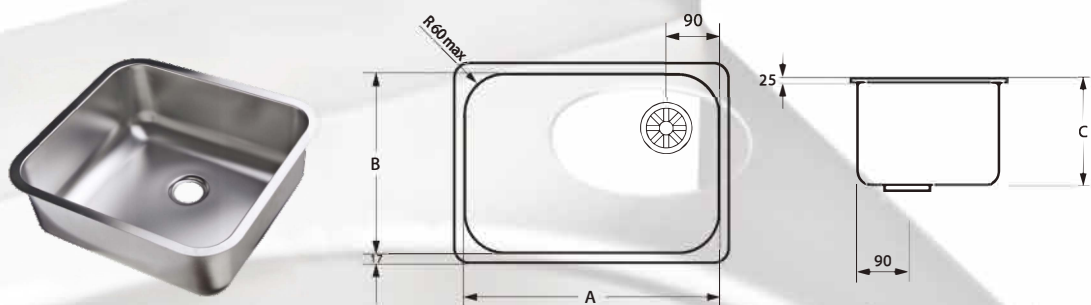
Hole for 1 1/2" drain (see drains with overflow tube)

Ready for welding to stainless steel sheet

External overflow on request

## Bowls for welding

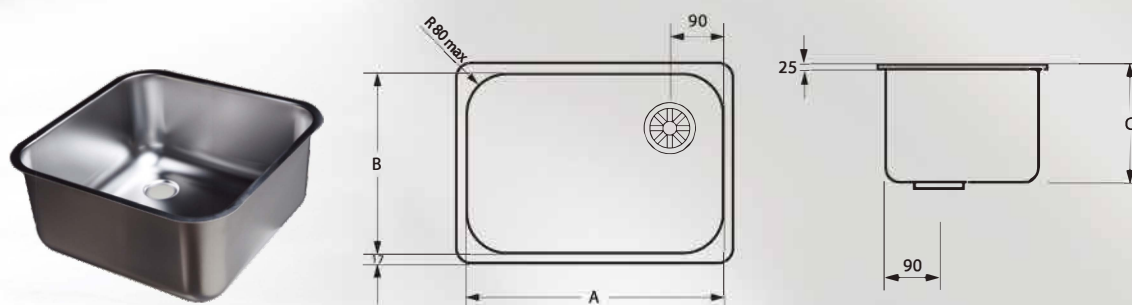
BW-3318 · BW-4420 · BW-4425 · BW-4430 · BW-4545 · BW-5425 R · BW-5425 L ·  
BW-5430 R · BW-5430 L · BW-5530



reference	length A mm.	width B mm.	depth C mm.	capacity lt.	drain	hole D x E mm.
BW-3318	350	380	145	20	center	383 x 353
BW-4420	400	400	200	30	---	403 x 403
BW-4425	400	400	250	37	---	403 x 403
BW-4430	400	400	300	45	---	403 x 403
BW-4545	450	450	250	50	---	453 x 453
BW-5425 R	500	400	250	50	right	503 x 403
BW-5425 L	500	400	250	50	left	503 x 403
BW-5430 R	500	400	300	60	right	503 x 403
BW-5430 L	500	400	300	60	left	503 x 403
BW-5530	500	500	300	75	---	503 x 503

## Big bowls for welding

BW-6530 R · BW-6530 L · BW-6533 R · BW-6533 L

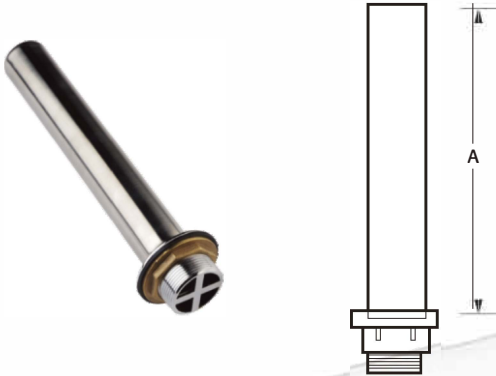


reference	length A mm.	width B mm.	depth C mm.	capacity lt.	drain	hole D x E mm.
BW-6530 R	600	500	300	90	right	603 x 503
BW-6530 L	600	500	300	90	left	603 x 503
BW-6533 R	600	500	330	99	right	603 x 503
BW-6533 L	600	500	330	99	left	603 x 503

# Drain with overflow tube

DT-20 · DT-25 · DT-30 · DT-35

1 1/2 " drain  
AISI 304 stainless steel overflow tube, 40 mm. diameter  
Tube top is 20 mm. under full sink



reference	length A mm.
DT-20	180
DT-25	230
DT-30	280
DT-35	310





# Industrial Sink Tops

Aisi 304 stainless steel 1,0 mm. thickness  
Other sizes and thicknesses under request

## One sink and one working area sink tops

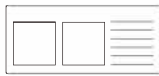



Orientation	Ref	Length	Width	Sink	Sinks	Working Area
	1112604025L	1200	600	404025	1	1
	1112704025L	1200	700	404025	1	1
	1112604525L	1200	600	454525	1	1
	1112704525L	1200	700	454525	1	1
	1112605425L	1200	600	504025	1	1
	1112705425L	1200	700	504025	1	1
	1112705030L	1200	700	505030	1	1
	1114604525L	1400	600	454525	1	1
	1114704525L	1400	700	454525	1	1
	1114605425L	1400	600	504025	1	1
1114705425L	1400	700	504025	1	1	
1114705030L	1400	700	505030	1	1	
1114706030L	1400	700	605030	1	1	
1116605425L	1600	600	504025	1	1	
1116705425L	1600	700	504025	1	1	
1116705030L	1600	700	505030	1	1	
1116706030L	1600	700	605030	1	1	
1118605425L	1800	600	504025	1	1	
1118705425L	1800	700	504025	1	1	
1118705030L	1800	700	505030	1	1	
1118706030L	1800	700	605030	1	1	

Orientation	Ref	Length	Width	Sink	Sinks	Working Area
	1112604025R	1200	600	404025	1	1
	1112704025R	1200	700	404025	1	1
	1112604525R	1200	600	454525	1	1
	1112704525R	1200	700	454525	1	1
	1112605425R	1200	600	504025	1	1
	1112705425R	1200	700	504025	1	1
	1112705030R	1200	700	505030	1	1
	1114604525R	1400	600	454525	1	1
	1114704525R	1400	700	454525	1	1
	1114605425R	1400	600	504025	1	1
1114705425R	1400	700	504025	1	1	
1114705030R	1400	700	505030	1	1	
1114706030R	1400	700	605030	1	1	
1116605425R	1600	600	504025	1	1	
1116705425R	1600	700	504025	1	1	
1116705030R	1600	700	505030	1	1	
1116706030R	1600	700	605030	1	1	
1118605425R	1800	600	504025	1	1	
1118705425R	1800	700	504025	1	1	
1118705030R	1800	700	505030	1	1	
1118706030R	1800	700	605030	1	1	

## Two sinks and one working area sink tops

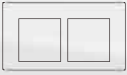


Orientation	Ref	Length	Width	Sink	Sinks	Working Area
	2116605425L	1600	600	504025	2	1
	2116705425L	1600	700	504025	2	1
	2116705030L	1600	700	505030	2	1
	2118605425L	1800	600	504025	2	1
	2118705425L	1800	700	504025	2	1
	2118705030L	1800	700	505030	2	1
	2118706030L	1800	700	605030	2	1

Orientation	Ref	Length	Width	Sink	Sinks	Working Area
	2116605425L	1600	600	504025	2	1
	2116705425L	1600	700	504025	2	1
	2116705030L	1600	700	505030	2	1
	2118605425L	1800	600	504025	2	1
	2118705425L	1800	700	504025	2	1
	2118705030L	1800	700	505030	2	1
	2118706030L	1800	700	605030	2	1

## Two sinks and no working area sink tops



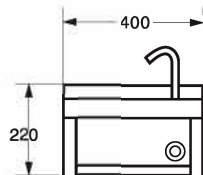
Orientation	Ref	Length	Width	Sink	Sinks	Working Area
	2012604525	1200	600	454525	2	No
	2012704525	1200	700	454525	2	No
	2012605425	1200	600	504025	2	No
	2012705425	1200	700	504025	2	No
	2012705030	1200	700	505030	2	No
	2014605425	1400	600	504025	2	No
	2014705030	1400	700	505030	2	No
	2014706030	1400	700	605030	2	No

# Hand Wash Units LK and LP series

Activated by knee  
Delivered assembled

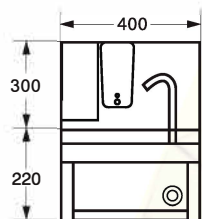
## LK-1

length mm.	width mm.	height mm.	material
295	400	220	AISI 304 stainless steel



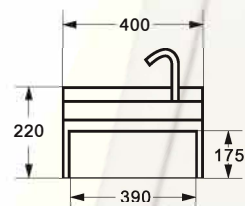
## LK-2

length mm.	width mm.	height mm.	material
295	400	520	AISI 304 stainless steel



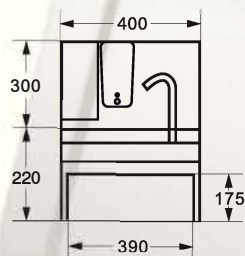
## LP-1

length mm.	width mm.	height mm.	material
295	400	220	AISI 304 stainless steel



## LP-2

length mm.	width mm.	height mm.	material
295	400	520	AISI 304 stainless steel



# Hand Wash Units

Hand wash units - Hand wash sinks - Faucets - Water flush valves - Water valve mixer

## Hand Wash Units LF series

Sink and accessories can be delivered separately  
Delivered assembled

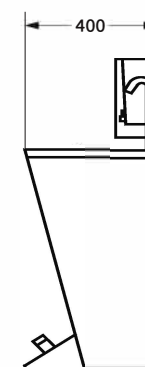
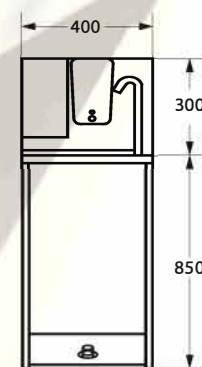
## LF-1

length mm.	width mm.	height mm.	material
400	400	850	AISI 304 stainless steel



## LF-2

length mm.	width mm.	height mm.	material
400	400	1150	AISI 304 stainless steel

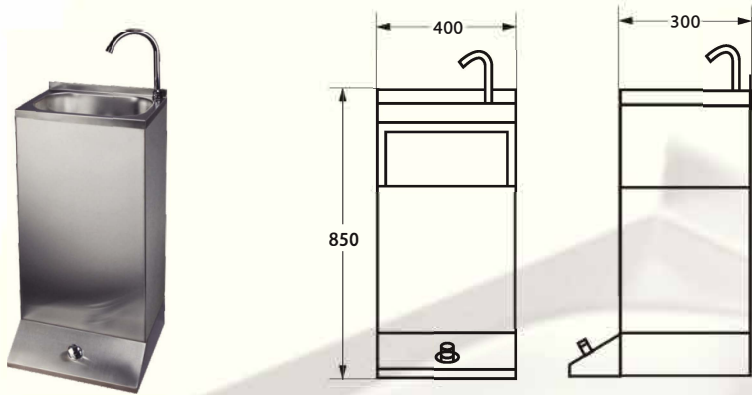


# Hand Wash Units LR and LX series

Delivered unassembled

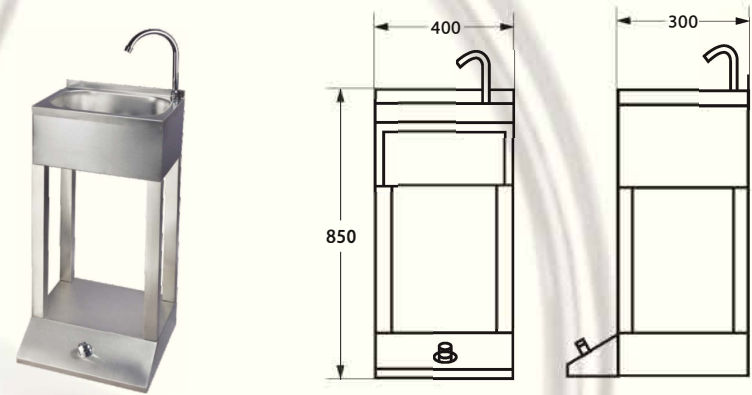
## LR-1

length mm.	width mm.	height mm.	material
300	400	850	AISI 304 stainless steel



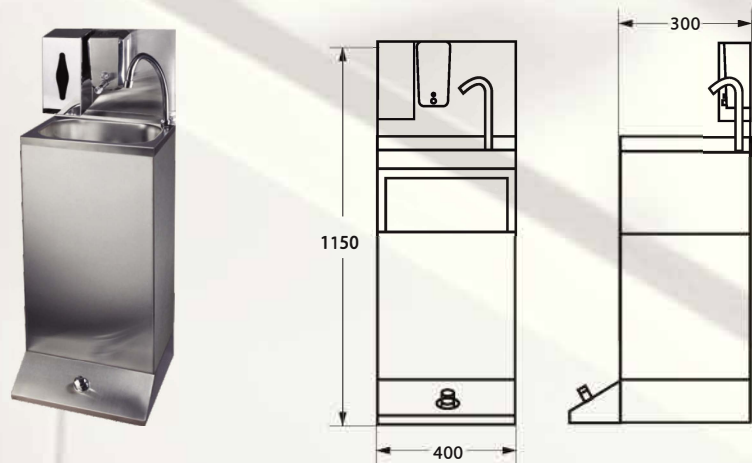
## LX-1

length mm.	width mm.	height mm.	material
300	400	850	AISI 304 stainless steel



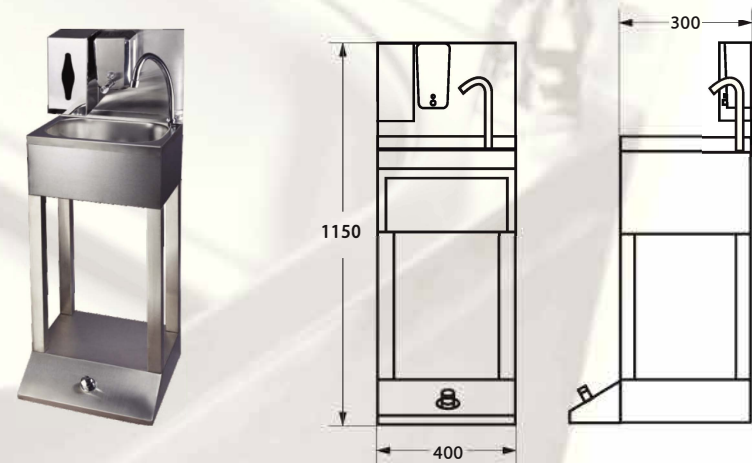
## LR-2

length mm.	width mm.	height mm.	material
300	400	1150	AISI 304 stainless steel



## LX-2

length mm.	width mm.	height mm.	material
300	400	1150	AISI 304 stainless steel

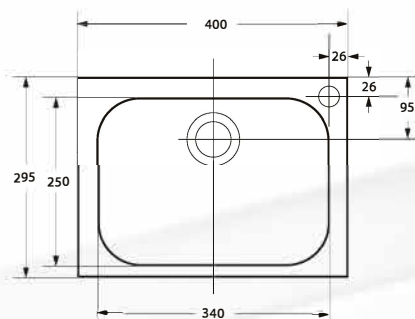


# Hand wash accessories

TR-43 · TR-44 · TR-45

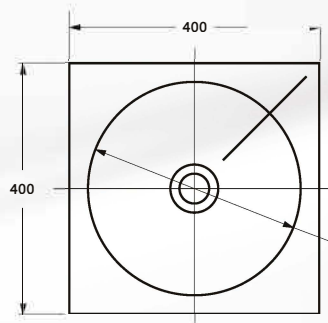
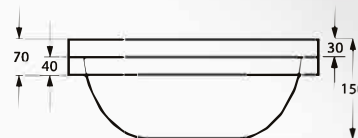
## TR-43

length mm.	width mm.	bowl size mm.	depth mm.	material
400	295	340x250	90	AISI 304 stainless steel



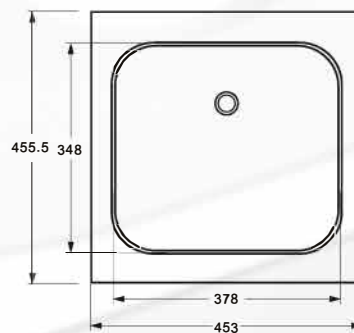
## TR-44

length mm.	width mm.	bowl size mm.	depth mm.	material
400	400	diam. 350	120	AISI 304 stainless steel



## TR-45

length mm.	width mm.	bowl size mm.	depth mm.	material
455.5	453	378x348	146	AISI 304 stainless steel





# Water flush valve

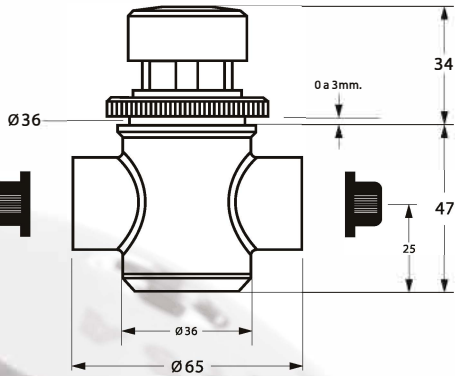
PO-1

Made in chromed brass  
Activated by knee or by foot

PO-1

reference

PO-1



# Water valve mixer

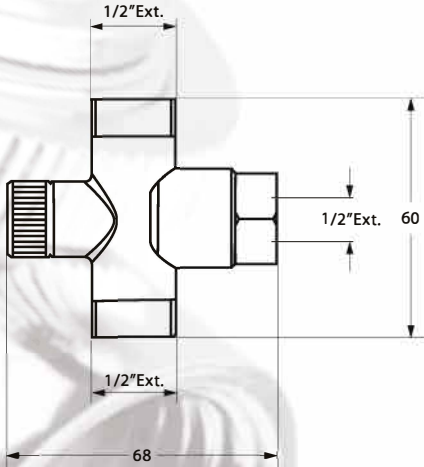
MX-1

Made in chromed brass

MX-1

reference

MX-1



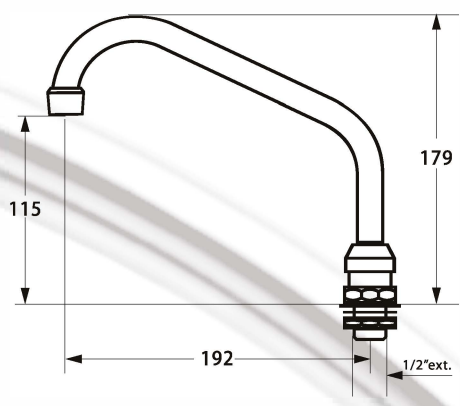
# Faucets

BC-1 · BC-2 · BC-3

Without handles as hand washers are activated by foot pedal or by knee

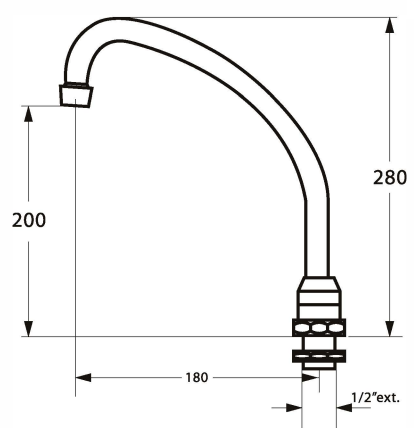
## BC-1

total height mm.	free height mm.	width mm.
179	115	192



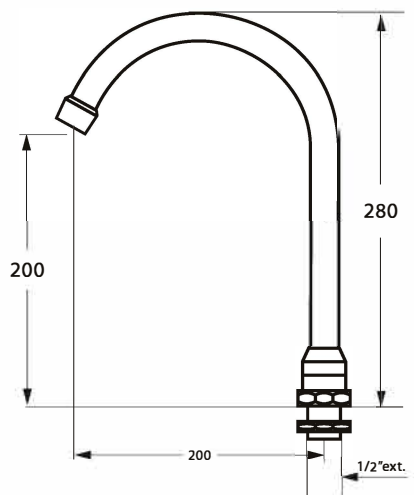
## BC-2

total height mm.	free height mm.	width mm.
280	200	180



## BC-3

total height mm.	free height mm.	width mm.
280	200	200



# Tables

Table and undershelf in AISI 304 stainless steel 1,0 mm. thickness  
Other sizes materials and thicknesses under request

## Tables without backsplash



Reference	Length mm.	Width mm.
TTM-12060	1200	600
TTM-12070	1200	700
TTM-14060	1400	600
TTM-14070	1400	700
TTM-16060	1600	600
TTM-16070	1600	700
TTM-18060	1800	600
TTM-18070	1800	700

## Tables with backsplash



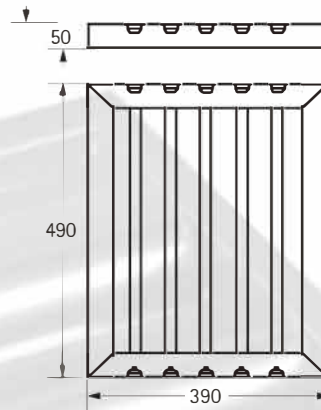
Reference	Length mm.	Width mm.
TTC-14060	1400	600
TTC-14070	1400	700
TTC-18060	1800	600
TTC-18070	1800	700

# Baffle filters

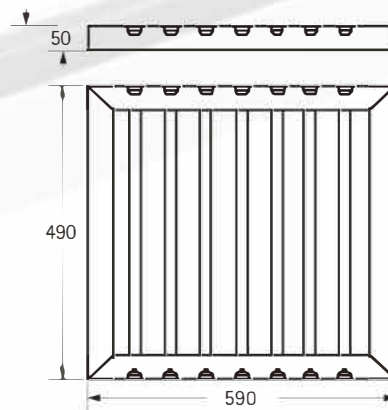
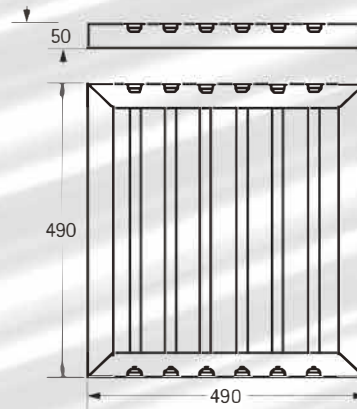
Made in stainless steel  
Rigid structure with double welding  
Dishwasher washable  
Standard sizes designed to fit most kitchen hoods  
Other sizes and materials available on request

## Standard baffle filters

BFI-49 · BFI-39 · BFI-59 · BFJ-49 · BFJ-39 · BFJ-59 · BFF-49 · BFF-39 · BFF-59



reference	sizes mm.	width mm.	material
BFI-49	490 x 490	50	AISI 304 stainless steel
BFI-39	490 x 390	50	AISI 304 stainless steel
BFI-59	490 x 590	50	AISI 304 stainless steel
BFJ-49	490 x 490	50	AISI 201 stainless steel
BFJ-39	490 x 390	50	AISI 201 stainless steel
BFJ-59	490 x 590	50	AISI 201 stainless steel
BFF-49	490 x 490	50	AISI 430 stainless steel
BFF-39	490 x 390	50	AISI 430 stainless steel
BFF-59	490 x 590	50	AISI 430 stainless steel

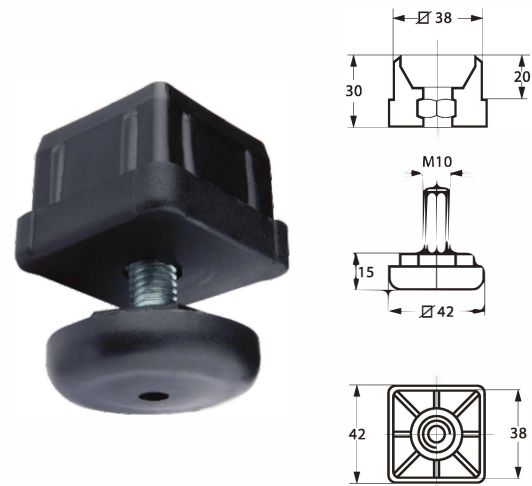


# Plastic Feet

FPQ-44 · FPC-44 · FPR-40 · FPL-44

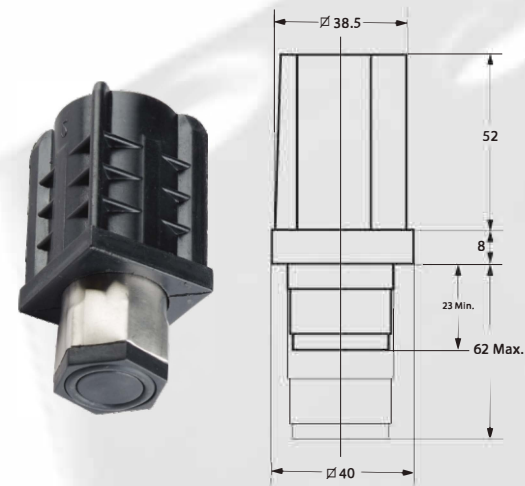
## FPQ-44

alum. base diam. mm.	length base mm.	foot regul. diam. mm.	foot regul. length mm.	lower regul. shape
40x40	30	42	42-15	round



## FPC-44

plastic base diam. mm.	plastic base length mm.	foot tube diam. mm.	foot tube length mm.	lower foot shape
40x40	52	34	62-23	hexagonal



# Kitchen feet

## Stainless Steel Feet - Plastic Feet

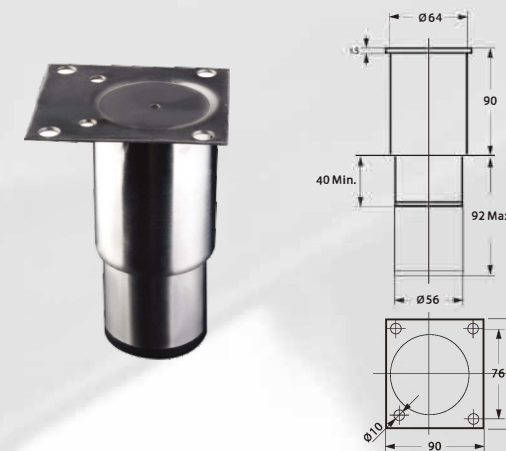
Other sizes and materials on request

## FB series

FB-64 R · FB-64 X · FB-56 R · FB-56 X

### FB-64 R

base tube diam. mm.	base tube length mm.	foot tube diam. mm.	foot tube length mm.	board sizes mm.	lower foot shape
64	90	56	92-40	90x90	round



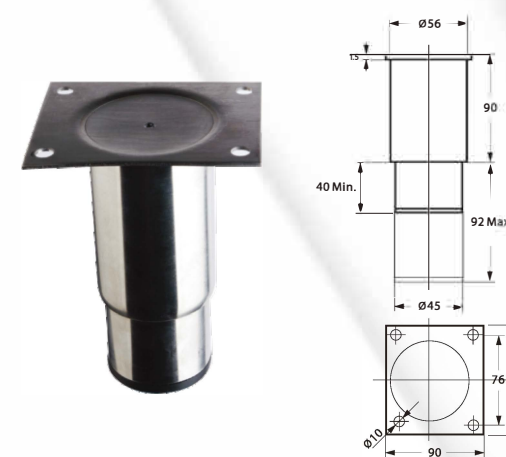
### FB-64 X

base tube diam. mm.	base tube length mm.	foot tube diam. mm.	foot tube length mm.	board sizes mm.	lower foot shape
64	90	56	92-40	90x90	octagonal



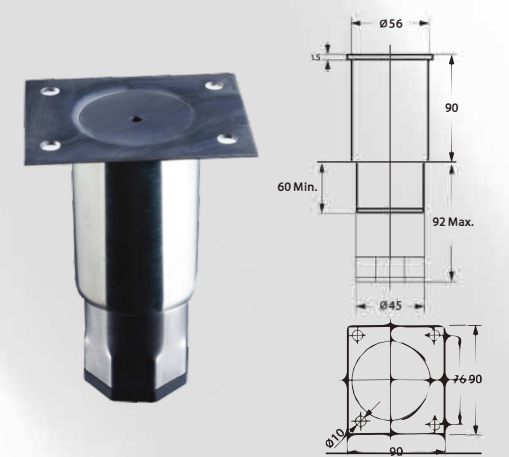
### FB-56 R

base tube diam. mm.	base tube length mm.	foot tube diam. mm.	foot tube length mm.	board sizes mm.	lower foot shape
56	90	45	92-40	90x90	round



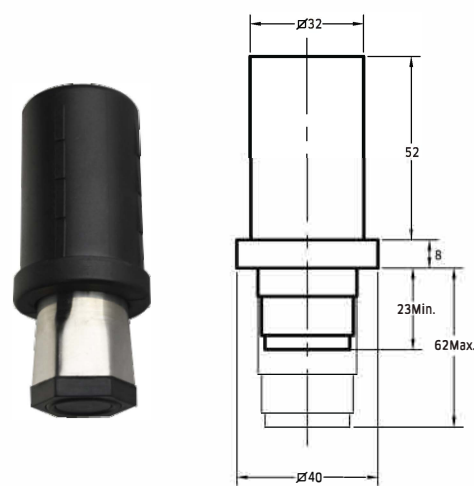
### FB-56 X

base tube diam. mm.	base tube length mm.	foot tube diam. mm.	foot tube length mm.	board sizes mm.	lower foot shape
56	90	45	92-40	90x90	octagonal



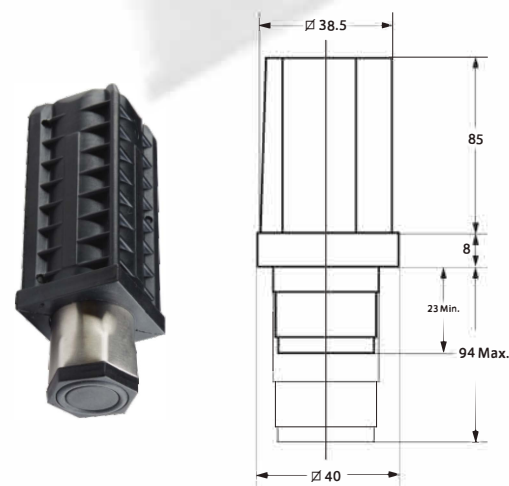
## FPR-40

plastic base diam. mm.	plastic base length mm.	foot tube diam. mm.	foot tube length mm.	lower foot shape
40x40	52	32	62-23	hexagonal



## FPL-44

plastic base diam. mm.	plastic base length mm.	foot tube diam. mm.	foot tube length mm.	lower regul. shape
40x40	85	38,5	94-23	hexagonal

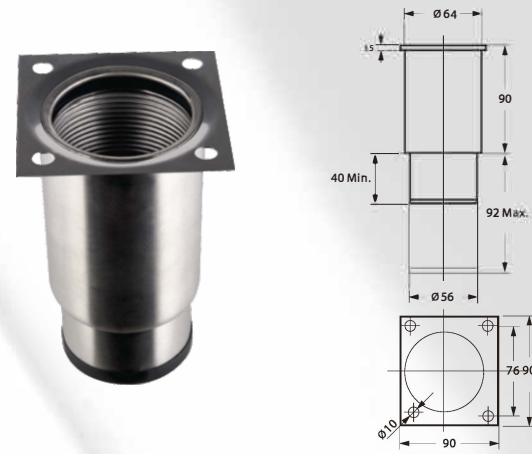


# FBT series

FBT-64 R · FBT-64 X · FBT-56 R · FBT-56 X

## FBT-64 R

base tube diam. mm.	base tube length mm	foot tube diam. mm.	foot tube length mm.	board sizes mm.	lower foot shape
64	90	56	92-40	90x90	round



## FBT-64 X

base tube diam. mm.	base tube length mm	foot tube diam. mm.	foot tube length mm.	board sizes mm.	lower foot shape
64	90	56	92-40	90x90	octogonal

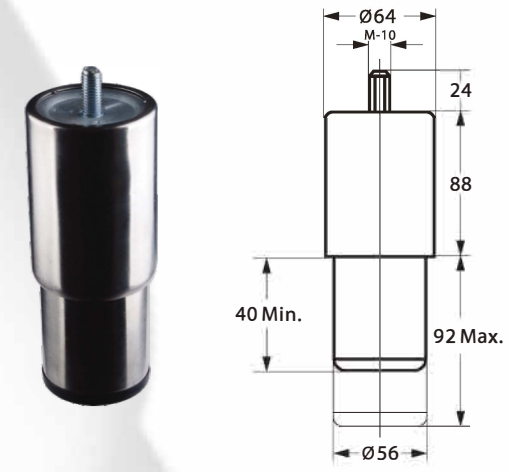


# FR series

FR-64 R · FR-64 X · FR-56 R · FR-56 X

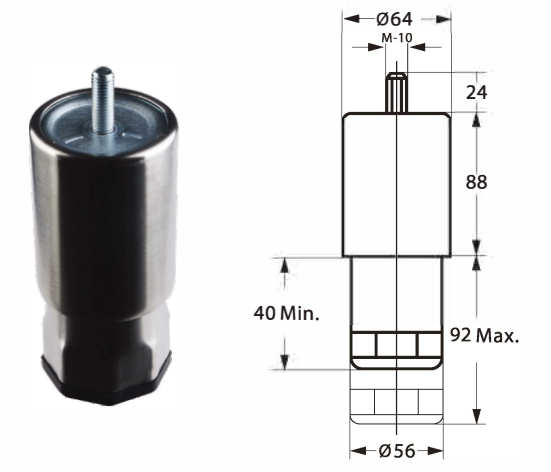
## FR-64 R

base tube diam. mm.	base tube length mm	foot tube diam. mm.	foot tube length mm.	lower foot shape
64	88	56	92-40	round



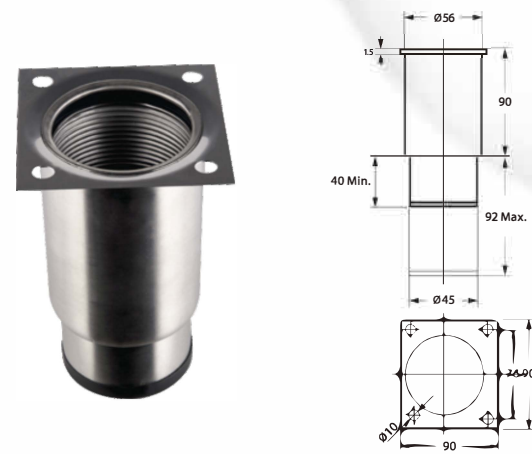
## FR-64 X

base tube diam. mm.	base tube length mm	foot tube diam. mm.	foot tube length mm.	lower foot shape
64	88	56	92-40	octogonal



## FBT-56 R

base tube diam. mm.	base tube length mm	foot tube diam. mm.	foot tube length mm.	board sizes mm.	lower foot shape
56	90	45	92-40	90x90	round



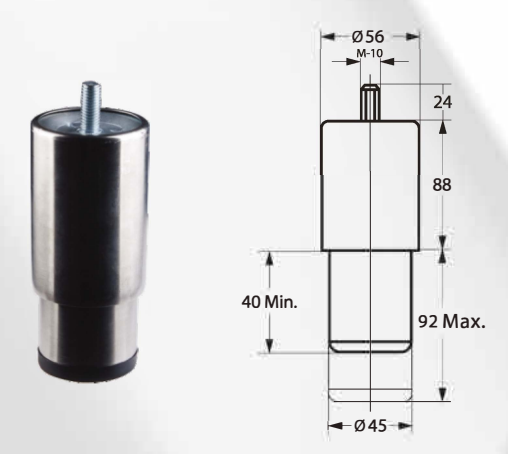
## FBT-56 X

base tube diam. mm.	base tube length mm	foot tube diam. mm.	foot tube length mm.	board sizes mm.	lower foot shape
56	90	45	92-40	90x90	octogonal



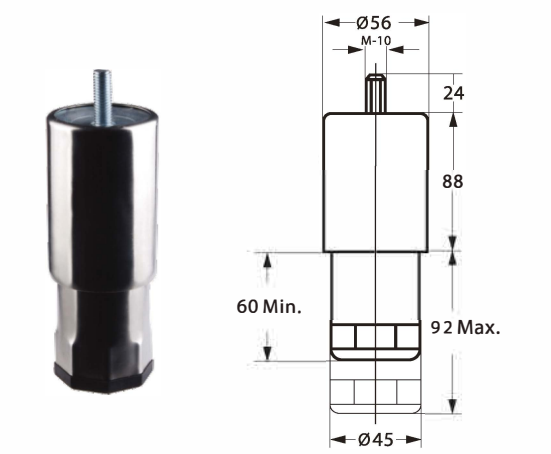
## FR-56 R

base tube diam. mm.	base tube length mm	foot tube diam. mm.	foot tube length mm.	lower foot shape
56	88	45	92-40	round



## FR-56 X

base tube diam. mm.	base tube length mm	foot tube diam. mm.	foot tube length mm.	lower foot shape
56	88	45	92-40	octogonal



# Drawer Slides

Standard slides · Telescopic slides

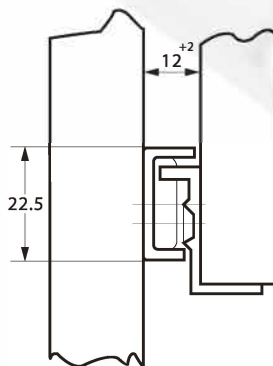
## Standard slides

GG-40 · GG-45 · GG-50 · GG-55 · GL-40 · GL-45 · GL-50 · GL-55

Zinc plated or stainless steel made  
Acetal roller bearings  
Other sizes available on request  
Two slides are delivered right + left



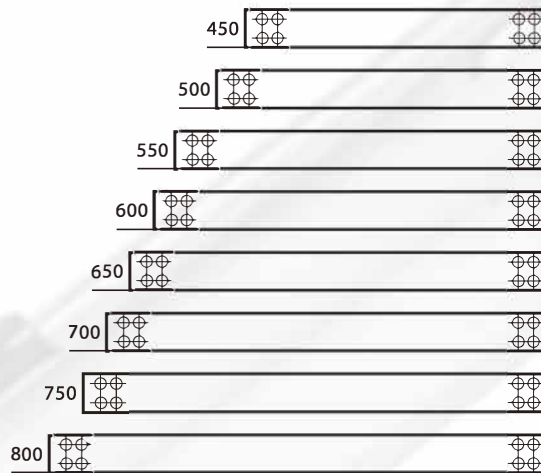
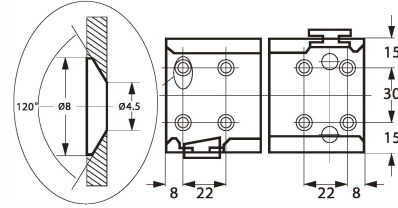
reference	length mm.	material	2 units weight gr.
GG-40	400	zinc plated steel	572
GG-45	450	zinc plated steel	644
GG-50	500	zinc plated steel	719
GG-55	550	zinc plated steel	793
GL-40	400	stainless steel	584
GL-45	450	stainless steel	656
GL-50	500	stainless steel	730
GL-55	550	stainless steel	803



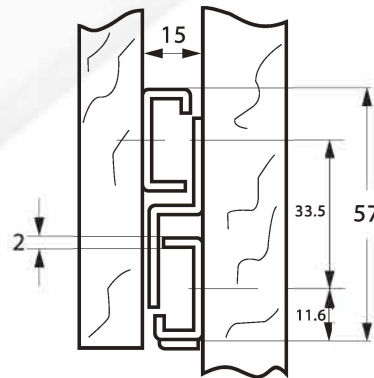
# Telescopic slides

GTI-45 · GTI-50 · GTI-55 · GTI-60 · GTI-65 · GTI-70 · GTI-75 · GTI-80

Made in AISI 304 stainless steel  
 Acetal roller bearings  
 Telescopic system for total extraction  
 Dynamic load capacity: 50 Kg.  
 Other sizes available on request  
 Two slides are delivered right + left



reference	length mm.	addit. extension mm.	2 units weightgr.
GTI-45	450	510	2.620
GTI-50	500	560	2.848
GTI-55	550	610	3.076
GTI-60	600	660	3.304
GTI-65	650	710	3.532
GTI-70	700	760	3.760
GTI-75	750	810	3.988
GTI-80	800	860	4.216



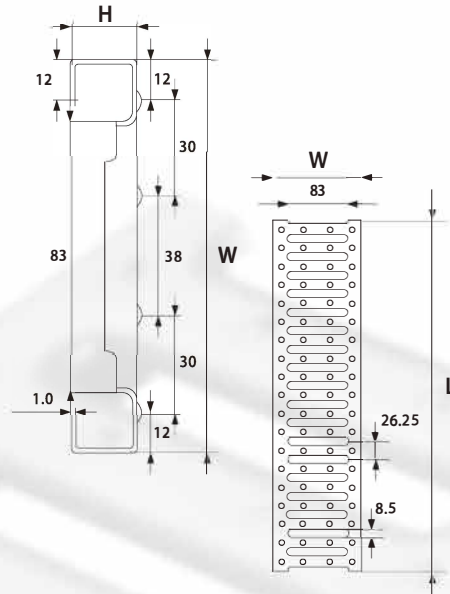


# Accessories

Drain Gratings · Racks · Glass dispenser

## Drain Gratings K Series

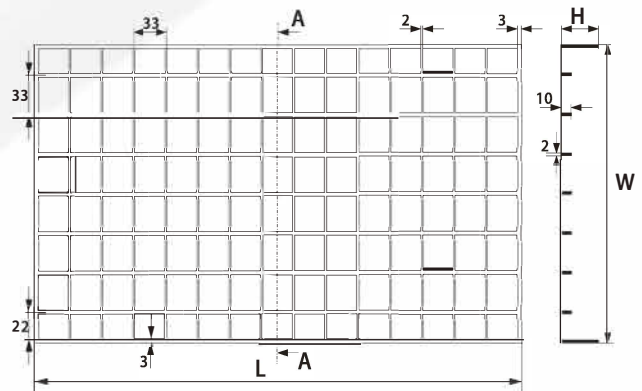
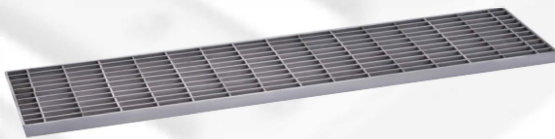
K 050012220 · K 100012220



Product	Length (mm)	Width (mm)	Height (mm)
K 050012220	500	122	20
K 100012220	1000	122	20

## Drain Gratings L Series

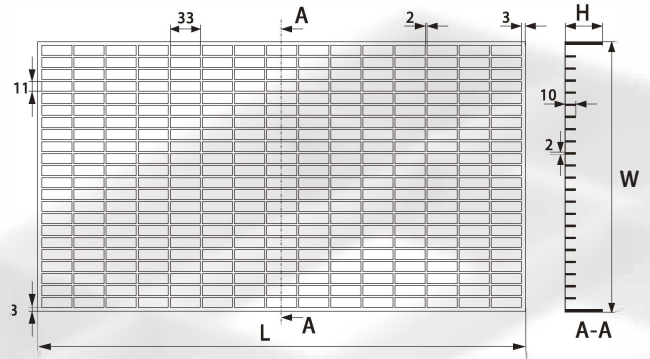
L 050012220 · L 100012220 · L 050018825 · L 100018825 · L 050024830 · L 100024830



Product	Length (mm)	Width (mm)	Height (mm)
L 050012220	500	122	20
L 100012220	1000	122	20
L 050018825	500	188	25
L 100018825	1000	188	25
L 050024830	500	248	30
L 100024830	1000	248	30

# Drain Gratings M Series

M 050012220 · M 100012220 · M 050018825 · M 100018825 · M 050024830 · M 100024830 · M 100030030

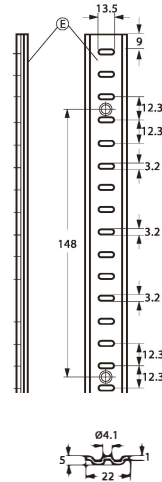


Product	Length (mm)	Width (mm)	Height (mm)
M 050012220	500	122	20
M 100012220	1000	122	20
M 050018825	500	188	25
M 100018825	1000	188	25
M 050024830	500	248	30
M 100024830	1000	248	30
M 100030030	1000	300	30

# Racks

R-2000 · R-1500 · R-1000 · support D · support F

AISI 304 stainless steel rack  
AISI 304 stainless steel support  
Shelf regulating system



reference	length mm.	weight gr.
R-2000	2.000	286
R-1500	1.500	214
R-1000	1.000	143
support D		20
support F		20

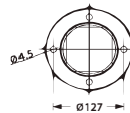
# Glass dispenser

GD-105

Glass dispenser with spring system for added convenience

**GD-105**

internal diam. mm.	external diam. mm.	length mm.	material
105	147	590	AISI 304 stainless steel



590

По вопросам продаж и поддержки обращайтесь:

Алматы (7273)495-231  
Ангарск (3955)60-70-56  
Архангельск (8182)63-90-72  
Астрахань (8512)99-46-04  
Барнаул (3852)73-04-60  
Белгород (4722)40-23-64  
Благовещенск (4162)22-76-07  
Брянск (4832)59-03-52  
Владивосток (423)249-28-31  
Владикавказ (8672)28-90-48  
Владимир (4922)49-43-18  
Волгоград (844)278-03-48  
Вологда (8172)26-41-59  
Воронеж (473)204-51-73  
Екатеринбург (343)384-55-89

Иваново (4932)77-34-06  
Ижевск (3412)26-03-58  
Иркутск (395)279-98-46  
Казань (843)206-01-48  
Калининград (4012)72-03-81  
Калуга (4842)92-23-67  
Кемерово (3842)65-04-62  
Киров (8332)68-02-04  
Коломна (4966)23-41-49  
Кострома (4942)77-07-48  
Краснодар (861)203-40-90  
Красноярск (391)204-63-61  
Курган (3522)50-90-47  
Курск (4712)77-13-04  
Липецк (4742)52-20-81

Магнитогорск (3519)55-03-13  
Москва (495)268-04-70  
Мурманск (8152)59-64-93  
Набережные Челны (8552)20-53-41  
Нижний Новгород (831)429-08-12  
Новокузнецк (3843)20-46-81  
Новосибирск (383)227-86-73  
Ноябрьск (3496)41-32-12  
Омск (3812)21-46-40  
Орел (4862)44-53-42  
Оренбург (3532)37-68-04  
Пенза (8412)22-31-16  
Пермь (342)205-81-47  
Петрозаводск (8142)55-98-37  
Псков (8112)59-10-37

Ростов-на-Дону (863)308-18-15  
Рязань (4912)46-61-64  
Самара (846)206-03-16  
Санкт-Петербург (812)309-46-40  
Саранск (8342)22-96-24  
Саратов (845)249-38-78  
Севастополь (8692)22-31-93  
Симферополь (3652)67-13-56  
Смоленск (4812)29-41-54  
Сочи (862)225-72-31  
Ставрополь (8652)20-65-13  
Сургут (3462)77-98-35  
Сыктывкар (8212)25-95-17  
Тамбов (4752)50-40-97  
Тверь (4822)63-31-35

Тольятти (8482)63-91-07  
Томск (3822)98-41-53  
Тула (4872)33-79-87  
Тюмень (3452)66-21-18  
Улан-Удэ (3012)59-97-51  
Ульяновск (8422)24-23-59  
Уфа (347)229-48-12  
Хабаровск (4212)92-98-04  
Чебоксары (8352)28-53-07  
Челябинск (351)202-03-61  
Череповец (8202)49-02-64  
Чита (3022)38-34-83  
Якутск (4112)23-90-97  
Ярославль (4852)69-52-93

Россия +7(495)268-04-70

Казахстан +7(7172)727-132

Киргизия +996(312)96-26-47

geb@nt-rt.ru || <https://gispkitchen.nt-rt.ru>